



HANDLES COLLECTION IV

The Loop and Emile handles complement our furniture and are very effective when used on double doors. Both are sold in pairs and available in our many metal finishes.

Our pull handles, hand-made in the UK by our skilled craftsmen, can be fabricated to be used back-to-back.

Special finishes and other dimensions are available to special order, with minimum quantities applying. Please contact us for further information.

DIMENSIONS (mm)

LOOP (pair)
Variable W from 95
145 H
30 D

EMILE (pair)
Variable W from 184
186 H
40 D



INDUSTRY
PARTNER

SPECIFICATIONS



HANDLES COLLECTION IV

DIMENSIONS (mm)

LOOP (pair)	EMILE (pair)
Variable W from 95	Variable W from 184
30 D	40 D
145H	186 H

LOOP

Shown - antique brass

METAL FINISH
Polished/satin nickel
Polished/antique/dark antique brass
Polished/satin gold

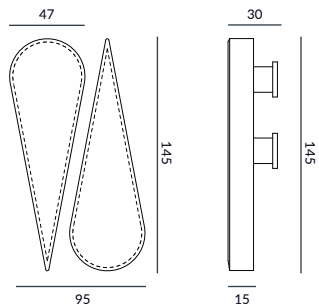
EMILE

Shown - dark antique brass

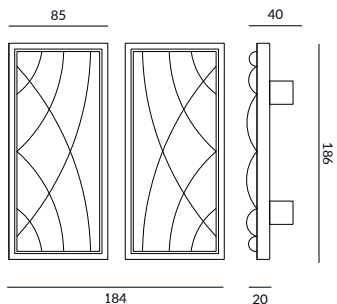
METAL FINISH
Polished/satin nickel
Polished/antique/dark antique brass
Polished/satin gold

LINE DRAWINGS

Loop



Emile



The minimum order for Loop and Emile is a pair.

Dimensions and fixing detail can be customised for large orders.